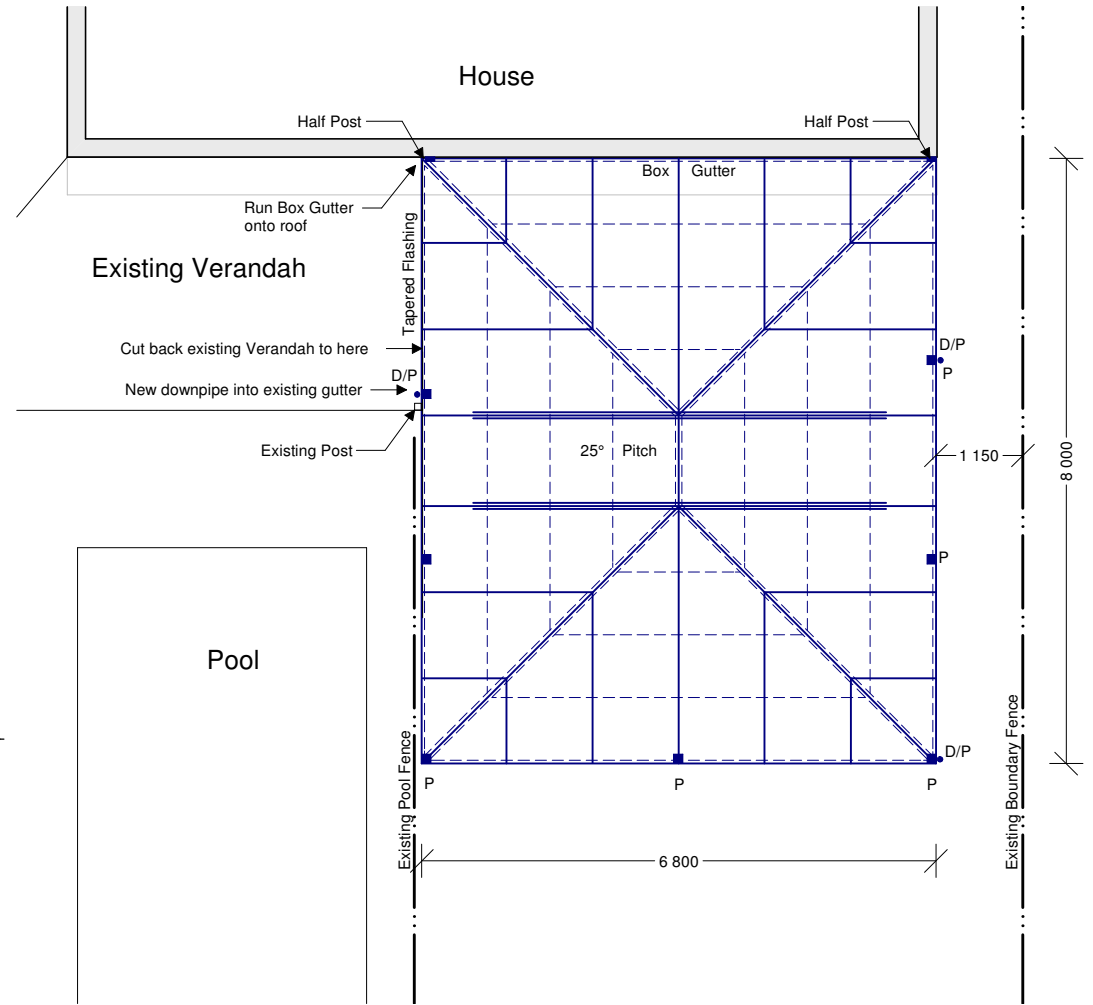


PERSPECTIVE



VERANDAH LAYOUT: PLAN VIEW

PLAN LEGEND

P	Proposed Verandah Post
D/P	Proposed Downpipe
FB	Heavy Duty Fascia Bracket (refer to detail)

Note: Check all measurements before construction. Any perspective or 3 dimensional images are for illustrative purposes only, and may not accurately represent the actual product being provided. All hardware, timber and roofing materials to be installed as per manufacturer recommendations and in accordance with the Australian Standards and the Building Code of Australia.

Sheet #	1
Drawing #	
Amended Dates:	DA1: --/-- DA3:
	DA2:
	DA3:



706-710 South Road Glandore
Ph 08 8297 8844
info@bettawood.com.au

Date:
30/07/15

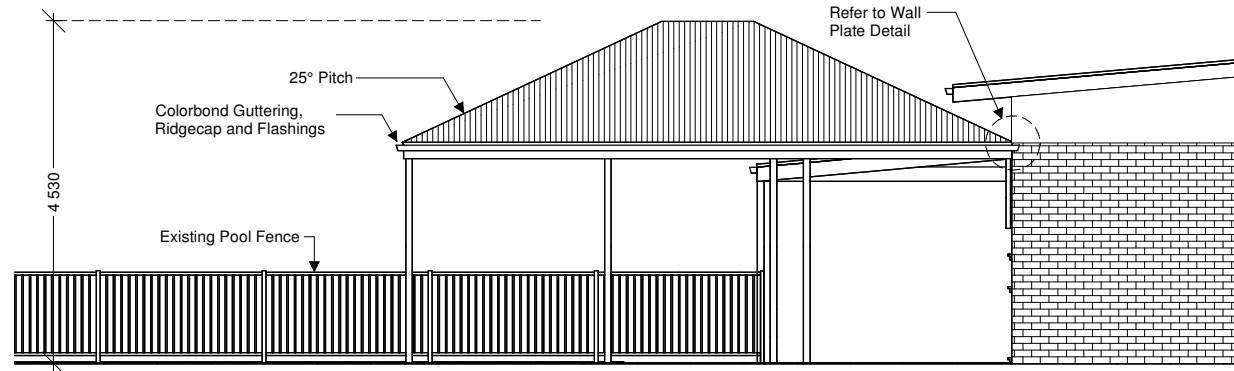
Scale:
1:100 @ A4

Phone:

Drawn By:

Owner:
EXAMPLE ONLY

Email:
info@bettawood.com.au



SIDE ELEVATION



REAR ELEVATION

ELEVATIONS



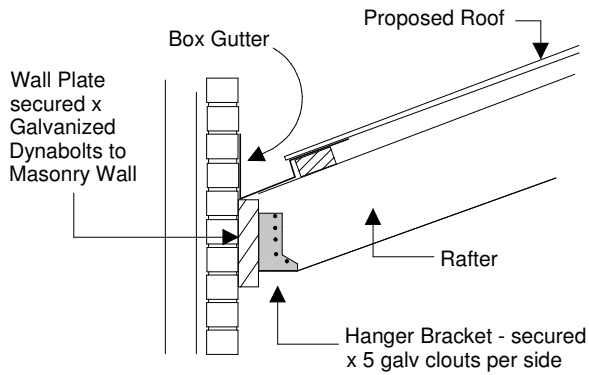
706-710 South Road Glandore
Ph 08 8297 8844
info@bettawood.com.au

Date: 30/07/15	Phone:
Scale: 1:100 @ A4	Drawn By:
Email: info@bettawood.com.au	

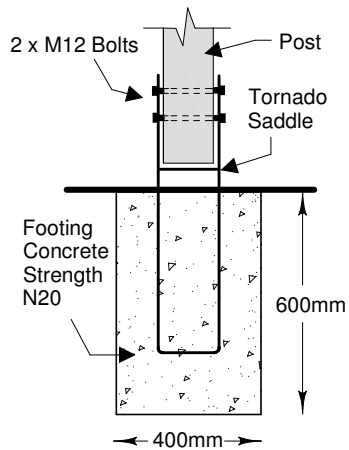
Owner:
EXAMPLE ONLY

Note: Check all measurements before construction. Any perspective or 3 dimensional images are for illustrative purposes only, and may not accurately represent the actual product being provided. All hardware, timber and roofing materials to be installed as per manufacturer recommendations and in accordance with the Australian Standards and the Building Code of Australia.

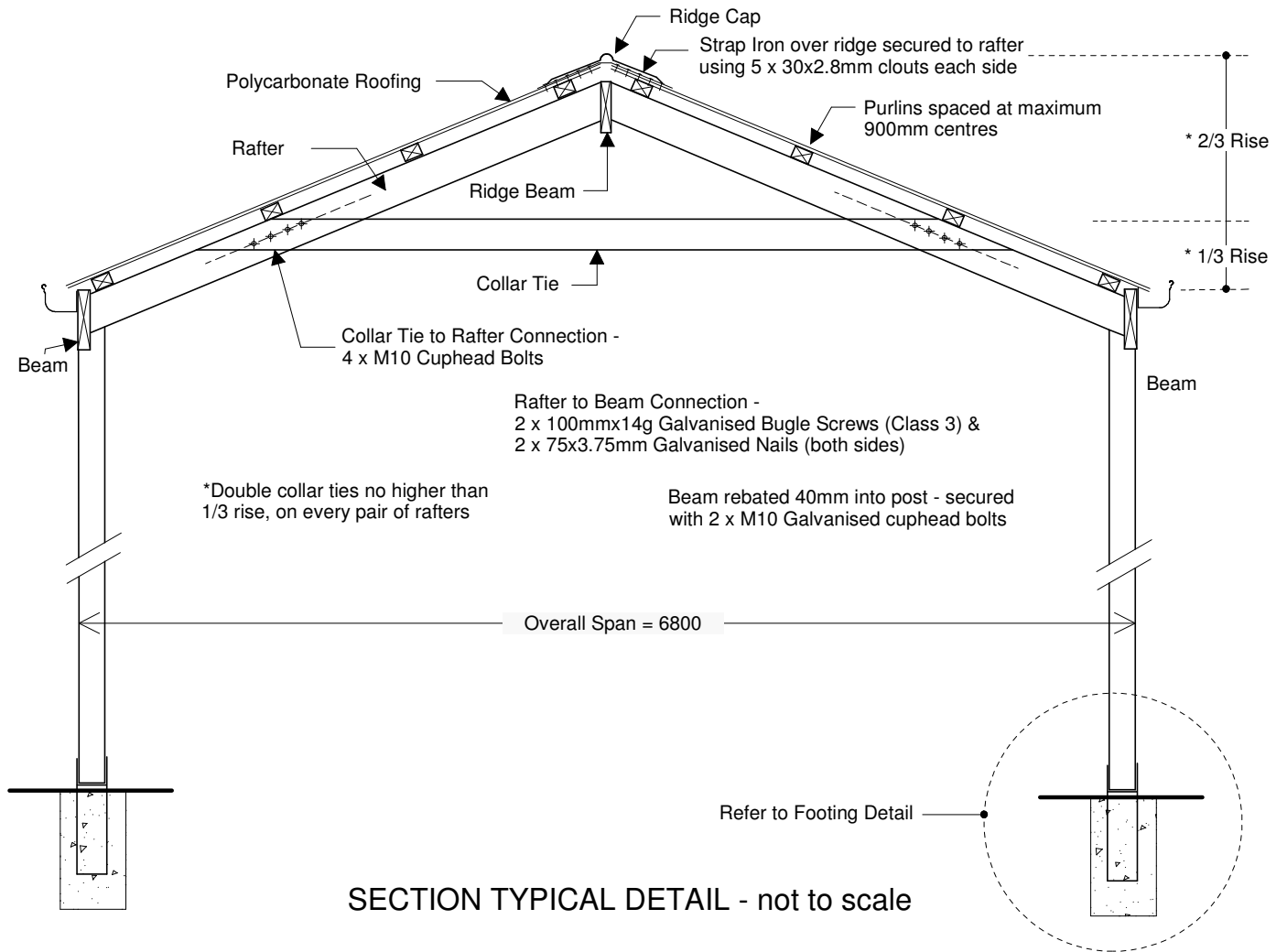
Sheet #	2
Drawing #	
Amended Dates: DA1: --/--/-- DA3: DA2: DA3:	



TYPICAL WALL PLATE DETAIL



Typical Footing Detail



SECTION TYPICAL DETAIL - not to scale

STRUCTURE DETAILS (unless otherwise noted on the plans)

Posts	H3 F7 - 88x88 LO SP
Beams	H3 F7 - 230x42 LO SP
Rafters	H3 F7 - 185x42 LO SP
Collar Ties	H3 F7 - 140x45 CCA
Purlins	H3 F7 - 70x45 CCA
Ridge	H3 F7 - 230x30 LO SP
Hips	H3 F7 - 230 x 45 LO SP



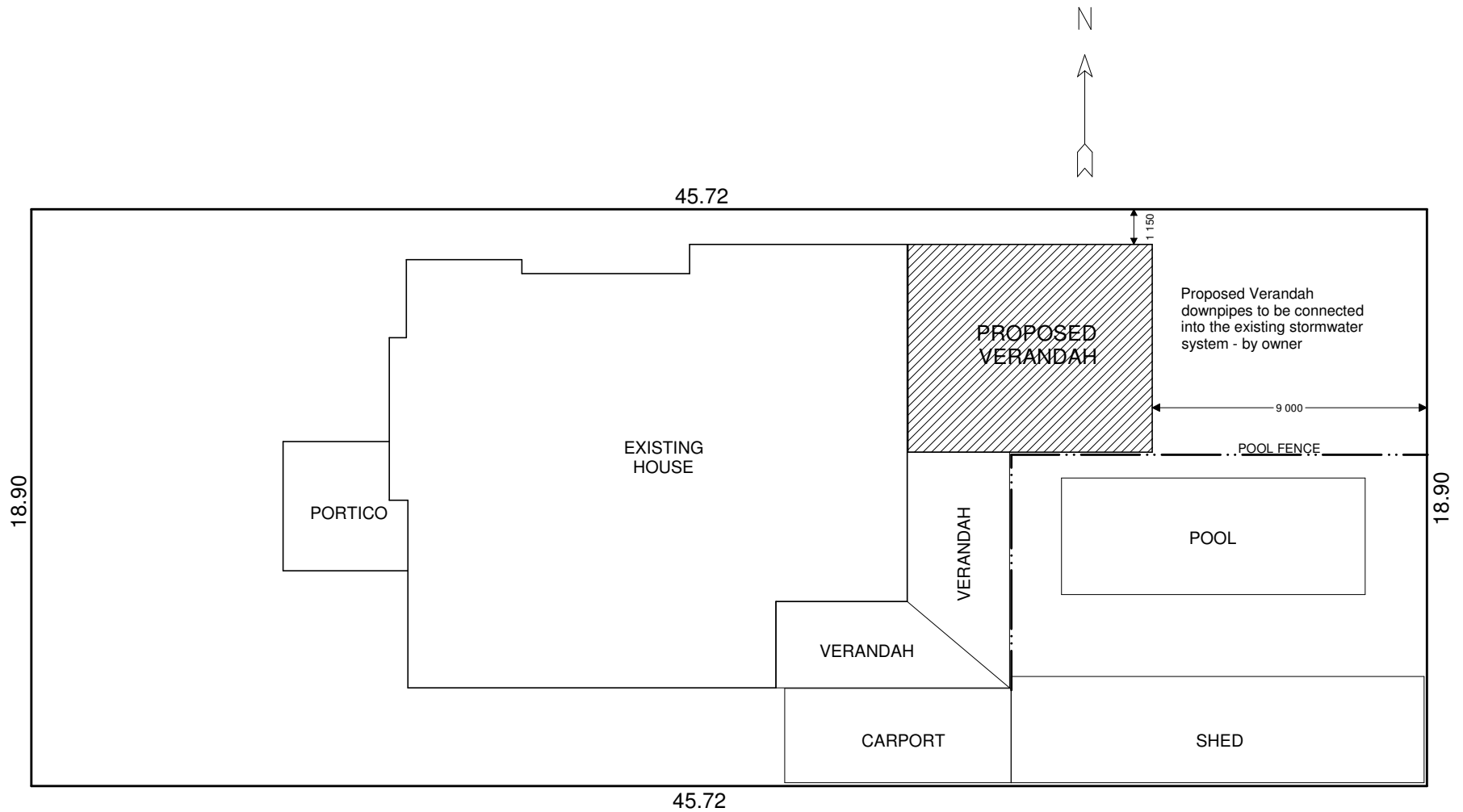
706-710 South Road Glandore
Ph 08 8297 8844
info@bettawood.com.au

Date: 30/07/15	Phone:	Owner: EXAMPLE ONLY
Scale:	Drawn By:	
Email: info@bettawood.com.au		

Note: Check all measurements before construction. Any perspective or 3 dimensional images are for illustrative purposes only, and may not accurately represent the actual product being provided. All hardware, timber and roofing materials to be installed as per manufacturer recommendations and in accordance with the Australian Standards and the Building Code of Australia.

Sheet #	3
Drawing #	
Amended Dates:	
DA1: --/--	DA3:
DA2:	
DA3:	

BOLINGBROKE GROVE



- Notes:
- No affect to significant trees
 - No significant cut or fill required to site

SITE PLAN

Bettawood
Outdoor Timber & Building Supplies

706-710 South Road Glandore
Ph 08 8297 8844
info@bettawood.com.au

Date: 30/07/15	Phone:
Scale: 1:200 @ A4	Drawn By:
Email: info@bettawood.com.au	

Owner:
EXAMPLE ONLY

Note: Check all measurements before construction. Any perspective or 3 dimensional images are for illustrative purposes only, and may not accurately represent the actual product being provided. All hardware, timber and roofing materials to be installed as per manufacturer recommendations and in accordance with the Australian Standards and the Building Code of Australia.

Sheet #	4
Drawing #	
Amended Dates: DA1: --/--/-- DA3: DA2: DA3:	